

INLGTO4IRWF

4.1 MP Vandal Proof Fixed Turret Network Camera w/IR, SD Slot

- High quality image with 4MP, 1/3" CMOS sensor
- Starlight ultra-high image quality in low light environments
- H.265+ & H.264 encoding
- 120dB true WDR technology
- Supports Micro SD card up to 256GB
- Smart IR, up to 30m (98ft) IR distance
- Perimeter protection functions: cross-line detection, intrusion detection, area entrance detection, area exit detection

Unify your Security Solution

You asked, we listened. Tailored especially for you, Legend is our **fully NDA compliant brand**. It offers our latest technologies in a robust build with edge storage capacity. Legend by Inaxsys provides H.265+ compression and easy installation.

Wide Dynamic Range

This camera offers vivid imaging in any scenario. Using industry-leading WDR technology, you'll be able to capture the subject in the most difficult lighting conditions.

On-board Analytics

Smart intrusion prevention systems use advanced technologies to accurately detect and classify targets, such as humans, motor vehicles, and non-motor vehicles. By using algorithms that differentiate between target types, they significantly reduce false alarms caused by environmental factors. These systems provide reliable and effective security solutions for a range of applications and can integrate with other security systems for a comprehensive approach.

*Design and specifications are subjects to change without notice.



INLGTO4IRWF

4.1 MP Vandal Proof Fixed Turret Network Camera w/IR, SD Slot

Product Specifications

Camera					
Image Sensor	1/3", 4.0 megapixel, progressive scan, CMOS				
Scanning System	Progressive				
Electronic Shutter Speed	Auto/Manual, 1 ~ 1/100 000s				
Minimum Illumination	Color: 0.002Lux (F1.6, AGC ON) / 0 Lux with IR on				
S/N Ratio	More than 56dB				
IR Distance	Distance up to 30M (98ft)				
IR On/Off Control	Auto/Manual				
Wide Dynamic Range	120dB				
Camera Features					
Day/Night	IR-cut filter with auto switch (ICR)				
Backlight Compensation	Supported				
White Balance	Auto / Outdoor / Fine Tune / Sodium Lamp / Locked				
Noise Reduction	2D/3D DNR				
Features	HLC; BLC; Corridor Mode				
Defog	Digital Defog				
Privacy Masking	Up to 4 areas				
OSD	Up to 8 OSDs				
Smart IR	Supported				
Motion Detection	Up to 4 areas				
Lens					
Lens Type	Fixed				
Focal Length	2.8mm				
Viewing Angle	H: 101.1°; V: 55.3°; O: 111.1°				
Pan/Tilt/Rotate	Pan: 0° ~ 360°; Tilt: 0 ~ 80°; Rotate: 0° ~ 360°				
DORI Distance	Lens (mm)	Detect	Observe	Recognize	Identify
	2.8	63.0m	25.2m	12.6m	6.3m
Video					
Compression	H.265+ / H.265 / H.264 / MJPEG				
H.264 code profile	Baseline profile, Main profile, High profile				
Frame Rate	Main Stream: 4MP (2688 x 1520) Max 30fps; 4MP (2560 x 1440) Max 30fps; 3MP (2304 x 1296) Max 30fps; 1080P (1920 x 1080) Max 30fps				
	Sub Stream: 720P (1280 x 720) Max 30fps; D1 (720 x 576) Max 30fps; 640x360 Max 30fps; 2CIF (704 x 288) Max 30fps; CIF (352 x 288) Max 30fps				
	Third Stream: D1 (720 x 576) Max 30fps; 640 x 360 Max 30fps; 2CIF (704 x 288) Max 30fps; CIF (352 x 288) Max 30fps				
Bit Rate	128 Kbps ~ 16 Mbps				

*Design and specifications are subjects to change without notice.



INLGTO4IRWF

Product Specifications

4.1 MP Vandal Proof Fixed Turret Network Camera w/IR, SD Slot

Network	
Ethernet	1 RJ45 10M/100M Base-TX Ethernet
Protocol	IPv4, IPv6, IGMP, ICMP, ARP, TCP, UDP, DHCP, PPPoE, RTP, RTSP, RTCP, DNS, DDNS, NTP, FTP, UPnP, HTTP, HTTPS, SMTP, 802.1x, SNMP, QoS, RTMP, SSL/TLS, SSH
Compatibility	ONVIF (Profile S, Profile G, Profile T), API, SDK
Security	Export operation logs, Basic and digest authentication for RTSP, Digest authentication for HTTP, TLS 1.2, WSSE and digest authentication for ONVIF, Password protection, Strong password, HTTPS encryption
Management Software	LEGEND VMS / ARKIV
Audio	
Audio Compression	G.711
Suppression	Supported
Sampling Rate	8KHZ
Microphone	Built-in Mic
Storage	
Edge Storage	Micro SD slot, up to 256 GB
Network Storage	ANR, NAS(NFS)
AI	
Intrusion	Line Crossing detection, Intrusion detection, Exiting an Area detection, Enter Area detection, false alarm filtering
Analysis of the passing flow	Support people flow counting and crowd density monitoring
Smart Features	
Detection	Motion detection, tampering alarm, audio detection
General Functions	Watermark, IP address filtering, tampering alarm, alarm input, alarm output, access policy, ARP protection, RTSP authentication, user authentication
Certifications	
Certifications	CE LVD (EN 62368-1:2014+A11:2017) UL (UL 62368-1, 2nd Ed., Issue Date: 2014-12-01) FCC (FCC CFR 47 part15 B, ANSI C63.4-2014)
General	
Power Supply	DC 12V ± 25%, PoE (IEEE 802.3af)
Power Consumption	Less than 4W
Working Environment	-30° C ~ +60° C / Less than 95% RH
Ingress Protection	IP67
Surge Protection	4KV
Material	Metal
Weight	0.42kg (0.93lb)
Dimensions	Φ110.5 x 94.1mm (Φ4.4" x 3.7")

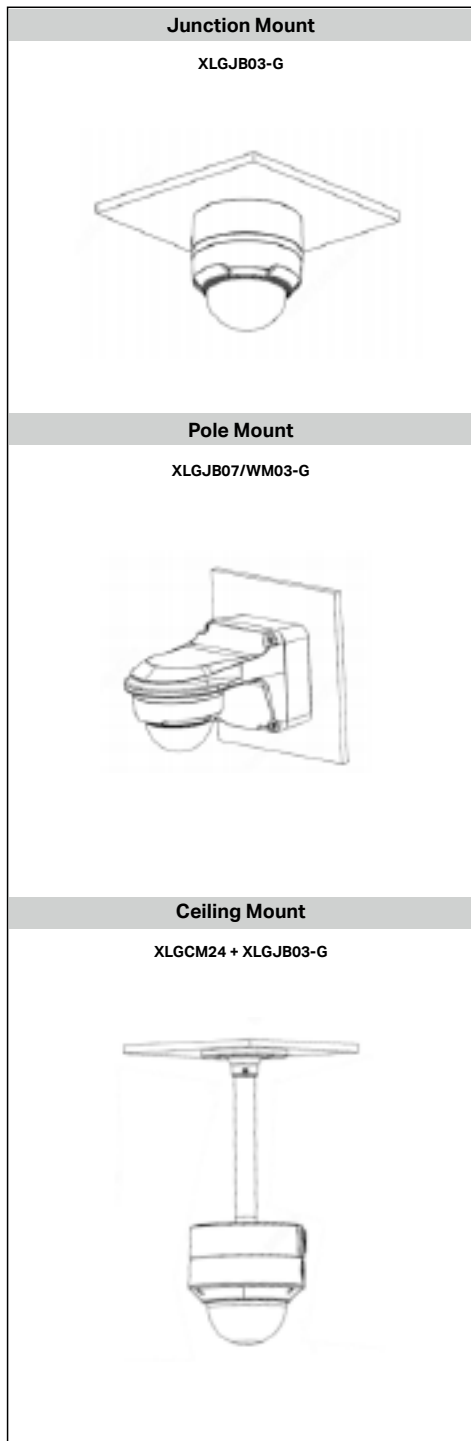
*Design and specifications are subjects to change without notice.



INLGTO4IRWF

4.1 MP Vandal Proof Fixed Turret
Network Camera w/IR, SD Slot

Product Specifications



XLGJB07/WM03-G
Wall Mount



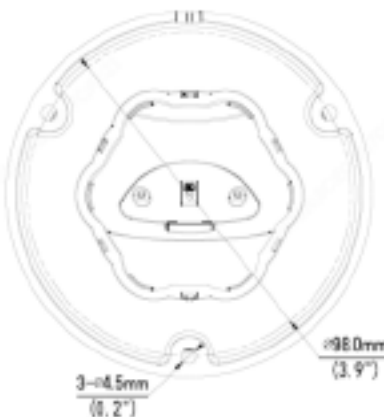
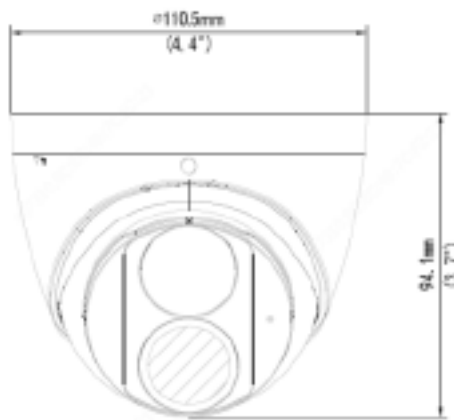
XLGJB03-G
Junction Box



XLGWM03-D
Wall Mount



XLGA01-IN
Waterproof Joint



XLGCM24
Ceiling Mount



VUSD256G
Micro SD Card

*Design and specifications are subjects to change without notice.

